



BEFORE YOU BEGIN


安装之前


- Please read these instructions carefully to familiarize yourself with the required tools, materials, and installation sequences. Follow the sections that pertain to your particular installation. This will help you avoid costly mistakes. In addition to proper installation, read all operating and safety instructions.
- All information in these instructions is based upon the latest product information available at the time of publication. Kohler China reserves the right to make changes in product characteristics, packaging, or availability at any time without notice.
- These instructions contain important care, cleaning, and warranty information-**please leave instructions for the consumer.**
- Before installation carefully inspect the new fixture for any signs of damage.
- This product complies with GB/T10357.4-2013, GB/T10357.5-2013 and GB24977-2010.

 **WARNING: Risk of injury or product damage.** Be careful when opening the door to avoid pinching fingers.

 **WARNING:** Don't use acidic or alkalic cleaners or alcohol to clean the surface. Use a dampened cloth to clean.

 **CAUTION: Risk of electric shock.** Electrical wiring may need to be relocated.

 **CAUTION: Risk of property damage.** Use anchors (not provided) rated for the loaded weight of this product. Refer to the anchor manufacturer's instructions.

 **Important Information:** This cabinet is designed for either right or left door swing. Check the wall cavity for obstructions.


• 请仔细阅读本指引，以便熟悉所需工具、材料及安装程序。请遵照适用的章节来安装本产品，以免安装失当导致不必要的损失。除了有关正确的安装方法之外，还务请详阅所有操作及安全指引。


• 本指引所载之一切资料，均以印刷时所有之最新产品情况为基础，科勒中国保留权利随时更改产品特性、包装或供应情况，恕不另行通知。

• 本指引也包含了有关保养、清洁及担保等重要资料-请交予用户保存。


• 安装之前，仔细检查产品是否有损伤。


• 本产品符合 GB/T10357.4-2013、GB/T10357.5-2013和 GB24977-2010。

 **警告：**可能有人员伤害或者产品损坏的危险。为防止门左右移动时夹到手指，请注意推门的位置。

 **警告：**表面不能用含酸或碱性的清洁剂以及酒精清洁，请用潮布清洁。

 **警告：**触电风险。可能需要重新布线。

 **警告：**财产损失风险。请使用可承载本产品重量的膨胀螺栓（不随货提供）。请参考螺栓制造商的产品说明。

 **重要信息：**本镜柜有适用于左右开门安装的型号，请注意区别。请检查墙体内壁空间是否存在障碍物。

ACCESSORIS LIST

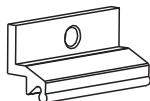
附件清单



Glass Shelves
玻璃层板546*118*6mm
2PCS



Wall Anchors
入墙胶粒
5PCS



Top Clips
顶扣
3PCS



Screw ST3.5X35
盘头自攻螺钉ST3.5X35
5PCS



Shelf Clip
嵌入式层板架
10PCS



Mounting Bar
承托条
1PCS



Storage, Plastic
储物盒
2个(单门)
3个(双门)



Glass Shelves
玻璃层板256*118*6mm
2PCS(仅双门提供)



Holedr, Dryer, Assy.
吹风机支架组件
1PCS(仅双门提供)



Side Mirror
侧镜
2PCS

ROUGHING-IN

尺寸图

Reference Value
参考值

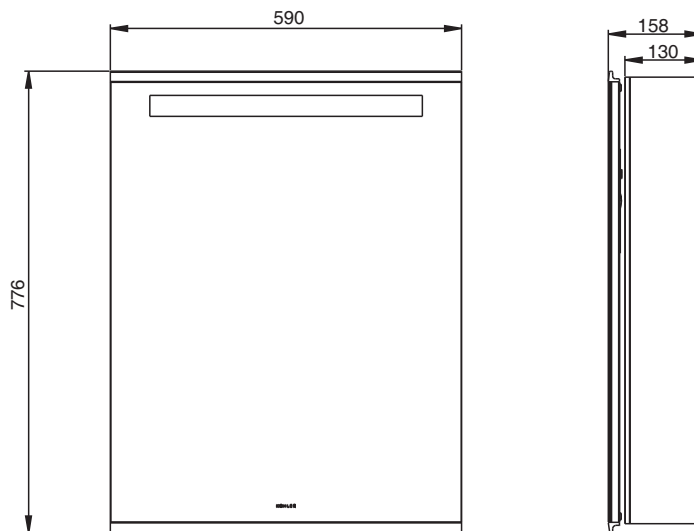
UNIT : mm
单位: 毫米

Mirrored Cabinet

镜柜

K-96106T-L(左开, 单门)

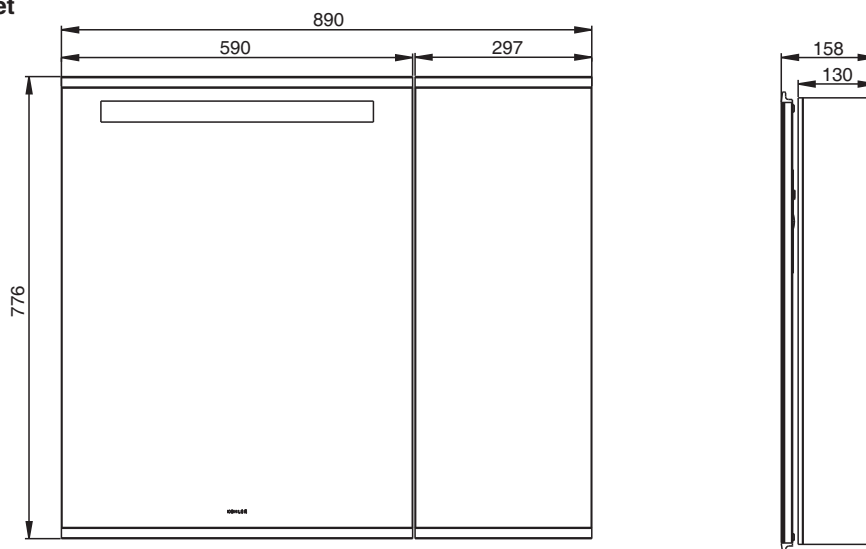
K-96106T-R(右开, 单门)



Mirrored Cabinet

镜柜

K-96107T(双门)

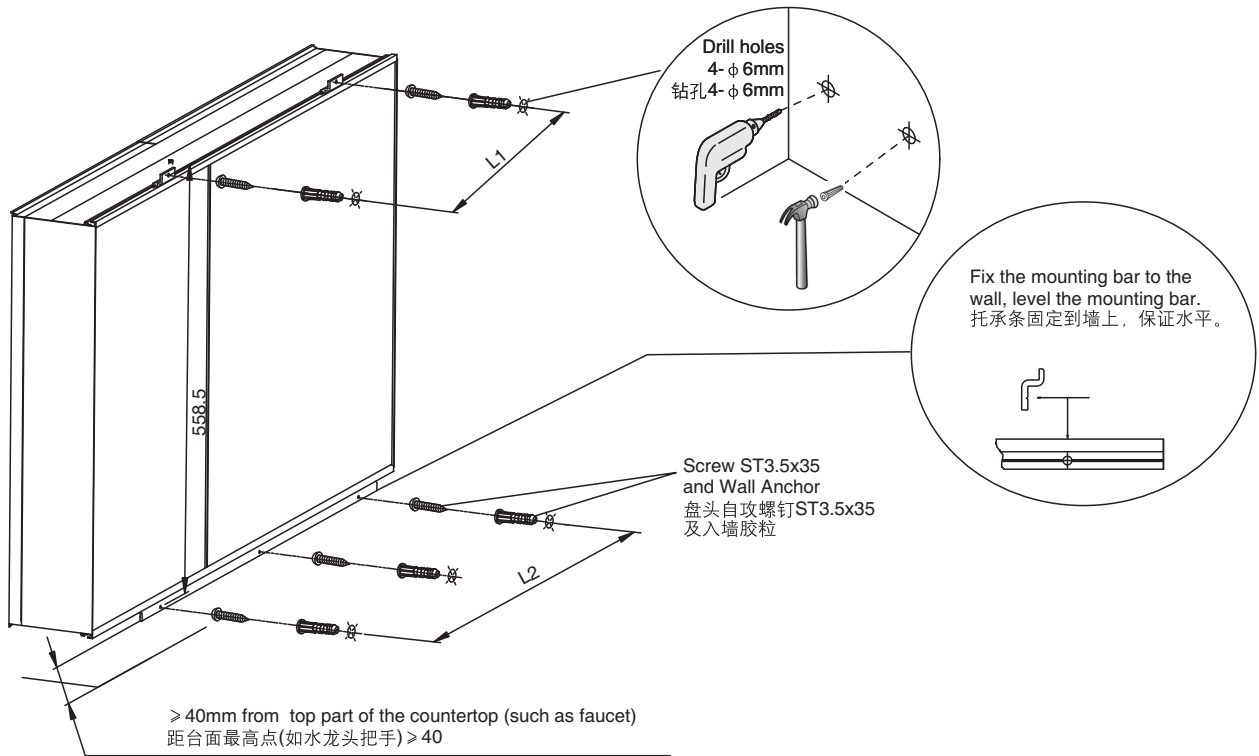


Kohler reserves the right to change marked dimensions without prior notice.
科勒公司保留随时变更图中标示尺寸的权利, 无需另行通知。

Item 序号	Electrical Function 电器功能	Type Description 规格描述	Fixate Place 安装位置
1	Defogger 防雾膜	Input: 220V 50Hz, Pmax=30W	Back of outer-mirror 贴外镜背面
2	Lighting 灯具	Input: 220V 50Hz, Pmax=6W, LED 3000K	Top of inner cabinet 柜内顶部
3	Power Outlet 电源插座	Input: 220V 50Hz, 10A	Bottom of inner cabinet 柜内底部

CABINET INSTALLATION

柜体安装



INSTALLATION

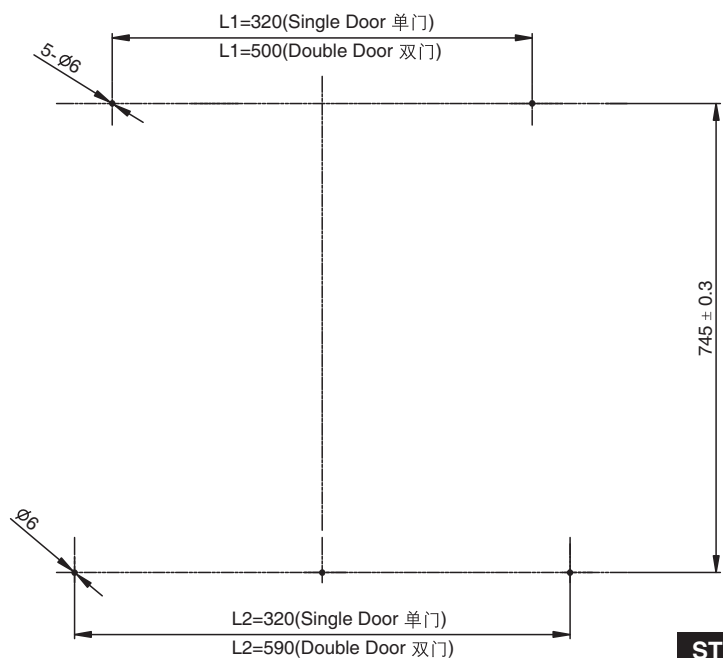
安装

Drill mounting holes

钻孔安装

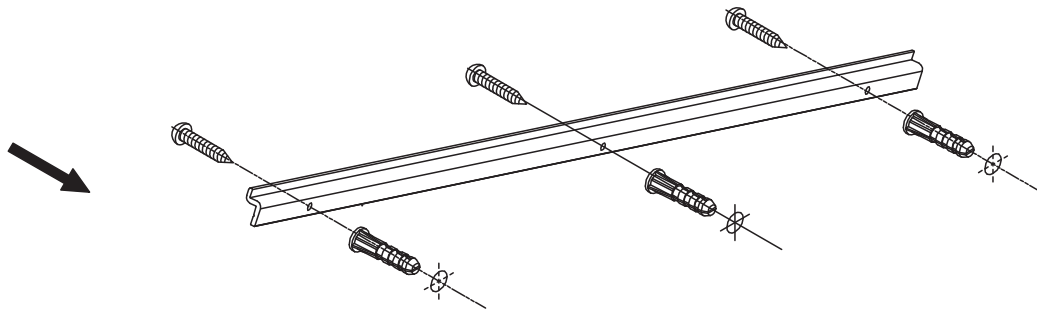
Drill 5 (or 4) ϕ 6 holes on the wall as shown. The holes on the same line shall keep level.

在墙上钻5个(或4个) ϕ 6孔, 尺寸如下图所示, 注意同一排孔保持水平。



STEP
2

Install mounting bar. Take out the mounting bar and put level. Drill holes according to the hole spaces.
安装托条，拿出托条，水平放置，按托条上的孔距进行钻孔。



STEP
2

Fix the cabinet

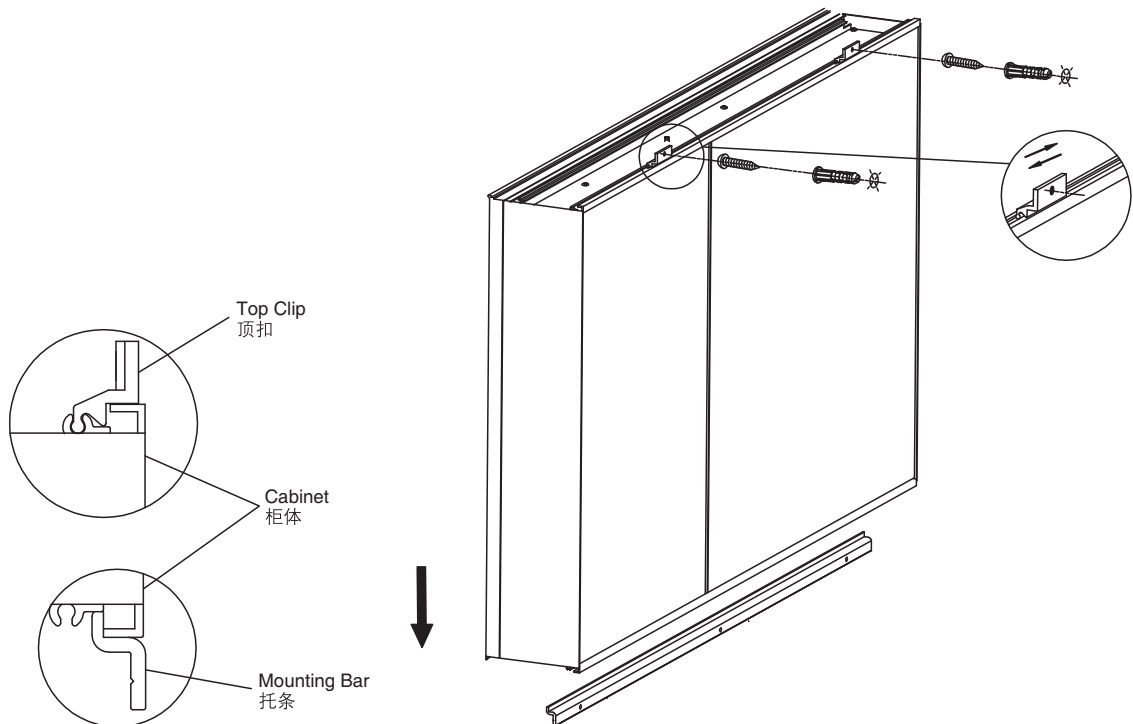
固定柜体

1. Put the cabinet on the mounting bar.

1. 将柜体放在托条上。

2. Insert top clips from the center of the top. Slide the clips to align with the drilled holes. Fix with screws.

2. 从中间缺口嵌入顶扣在柜顶，滑动顶扣，对准上一步骤的钻孔后，用螺钉固定。



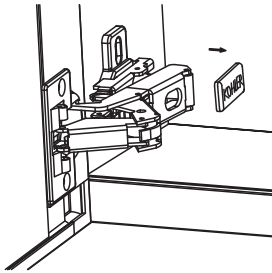
STEP
3

Adjust the door (only necessary if the door does not completely match the cabinet when it is closed).
调门体(当关门时门体和柜体不完全重合时,才需要调节)。

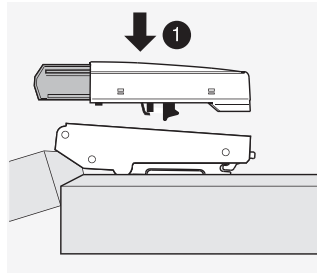
Door adjustments 门的拆装及调整

Remove the hinge cover or the blumotion before adjustment, see Fig A.
调节前取下铰链盖或者阻尼器。见图A。

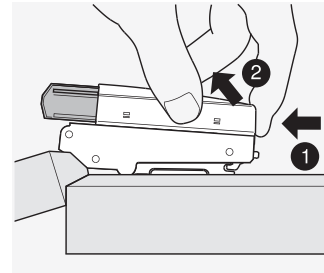
Adjust the hinge of door in 3 directions to make sure the door level as shown in Fig.B.
门板的三向调节见图B。



Assemble
铰链盖拆卸

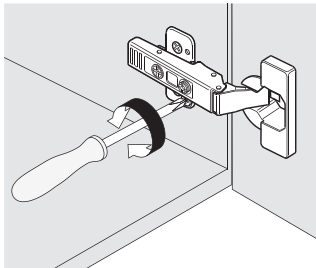


Assemble
阻尼器安装

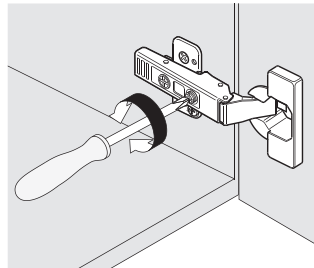


Removal
阻尼器拆卸

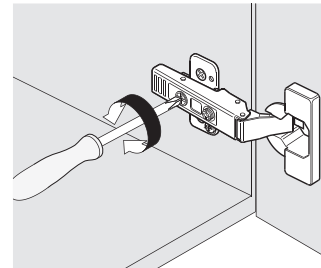
Fig. A 图A



Height Adjustment
调节高度



Side Adjustment
调节侧面



Depth Adjustment
调节深度

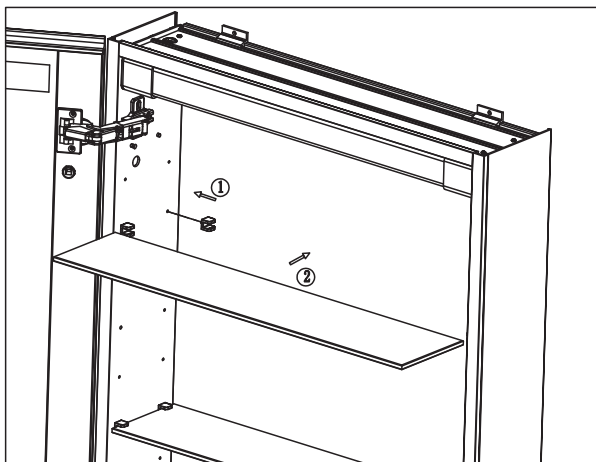
Fig. B 图B

Install glass shelf

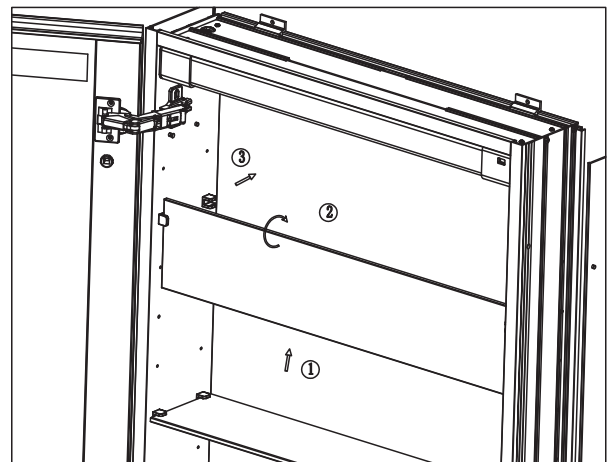
装玻璃层板

1. Insert the snap-in pins into the side holes.
1. 将嵌入式层板架插入两边侧孔。
2. Insert the glass shelf into the snap-in pins. as shown in the left illustration.
2. 将玻璃层板插入层板架。如下图安装方式一。
3. In case the door opening angle is not enough, insert the glass shelf vertically upwards and then rotate to horizontal position, as shown in the right illustration.
3. 如果门打开角度较小，按安装方式一不好装玻璃层板时，可按安装方式二，垂直往上穿入，再旋转水平后推入。

Method One
安装方式一



Method Two
安装方式二



STEP
5

Adjust magnifying glass.

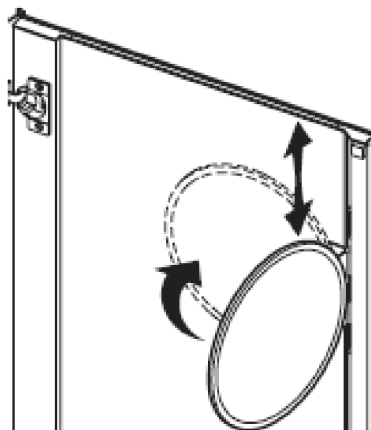
调整放大镜

To adjust mirror height, slide up or down.

IMPORTANT! Rotate mirror in before closing the door.

上下滑动，以调节镜子高度。

重要：必须在柜门关闭前旋入镜子。



STEP
6

Install accessories and side mirror as shown.
镜柜配件及侧镜的安装：按图示位置进行安装。

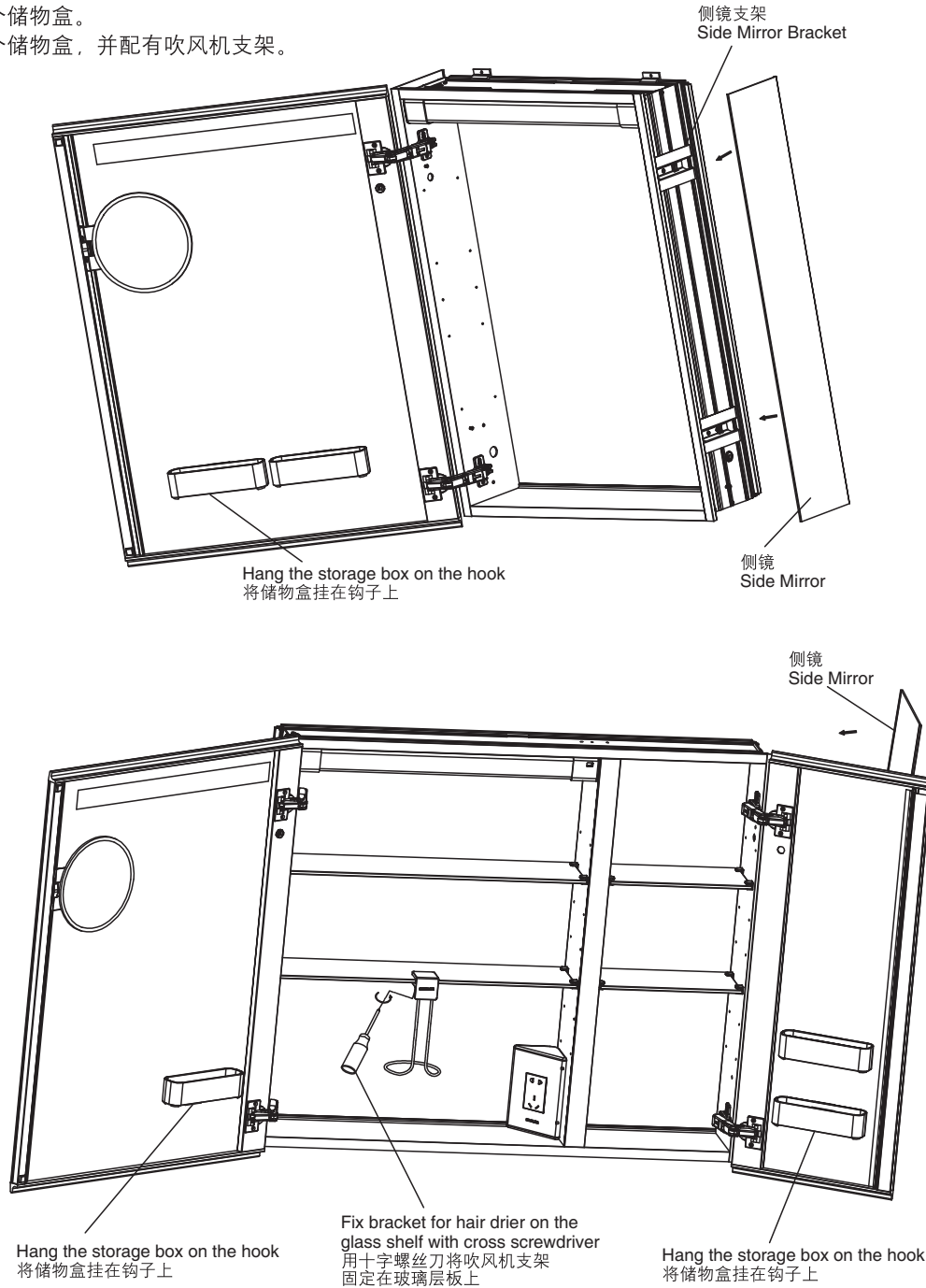
1. Align the side mirror with the top and bottom of the cabinet. Clean the back of the mirror.
1. 将侧镜与柜体边上下对齐，试装一下是否吻合，再将侧镜背面擦干净。
2. Peel off the double-sided tape and press onto the side mirror for 30 seconds.
2. 撕开侧镜支架上的双面胶面纸，贴上侧镜并按紧30秒。

Note:

1. Two storage boxes with single door cabinet.
2. Three storage boxes and bracket for hair drier with double door cabinet.

注：

1. 单门镜柜配2个储物盒。
2. 双门镜柜配3个储物盒，并配有吹风机支架。

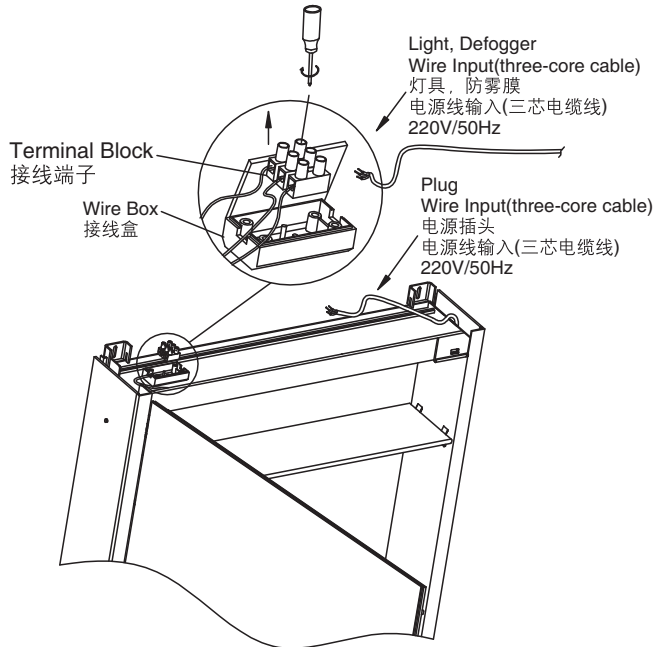


STEP
7

Connect to power line

电源线接入

1. Open the wire box and pull out the terminal block.
1. 电源线接入前将接线盒打开，把接线端子往上提出。
2. Put the terminal block back after connecting the power lines and then close the wire box.
2. 电源线接好后，再将接线端子装回，合上接线盒盖。



Note:

1. LED light will be brighter when cabinet door is closed and dimmer when cabinet door is open.
2. A separated switch is needed for lighting.
3. It is recommended to arrange a separated power line for the socket to keep it power on all the time. Power line shall be copper core $\geq 1.5\text{mm}^2$.
4. Power of the electrical equipments connected to the socket shall not exceed 2000w.

注:

1. 灯具为感应LED灯，关门时亮度增加，打开时亮度减少。
2. 灯具需要用户另外配单独的电源开关，控制灯具的亮灯或熄灯。
3. 电源插座的电源线建议单独接线，以保持常通电的状态。外接电线规格为大于或等于1.5平方铜芯线。
4. 电源插座外接电器总功率不能超过2000W.

STEP
8